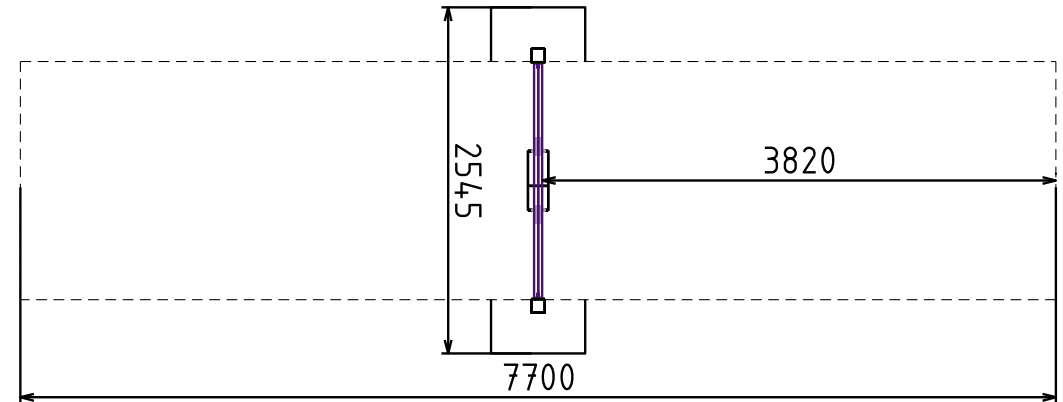
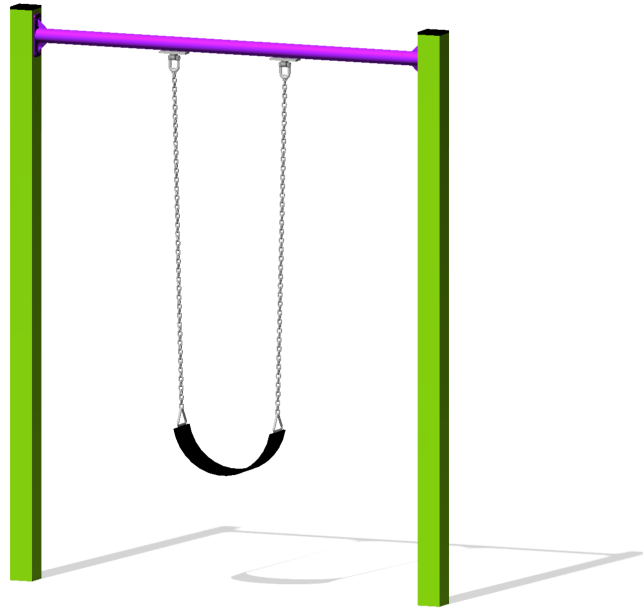


Post Swing - Single



Get swinging on the Forpark Post Swing. The compact frame of the Post Swing offers a reduced footprint and a modern aesthetic. Seat options includes a strap seat, toddler seat, solid seat and all abilities swing seat.

SPECIFICATIONS

- Product Code: SW69
- Age Range: All Ages
- Max Fall Height: 1350mm
- Minimum Fall Zone: 13.49m²
- Minimum Install Zone: 14.05m²
- Equipment Size: 1940mm x 150mm
- Max Equipment Height: mm
- Play spaces: Parks, schools, commercial

MATERIALS

COLOURS	Frame: Standard powder coat range
MATERIAL SPECS	Uprights: Galvanised steel Top Bar: Galvanised steel Fasteners: Steel & stainless steel Powder Coating: 80-120µ



WWW.FORPARKAUST.COM.AU

STANDARDS

Complies with relevant Australian Standards including: AS 4685:2014 (P1-6) | AS 4685.0:2017 | AS/NZS 4422:2016

*All information is commercial in confidence and is the property of Forpark Australia. All information is correct as at February 2019. For details regarding Australian standards, warranties, insurances, QA and installation, please contact your local office

